

PROGRAMBLE PULSE CONVERTER

SHN-700



- It can be accept variout of the sensors signals.
- We proud of it's high accuracy(0.15%) use by B bit CPU
- It is possible to display of Frequency, scale range, and current output
- It is possible to setting of input-frequency and K-fator value easily.
- It is possible to error compensation of input and output different and set of low limits

GENERAL SPECIFICATIONS

| | |
|---------------------------------|---------------------------------------------------------------------------------------|
| Isolation / Type | Photo-Coupler Isolation |
| Power Supply | AC 95~250V, 50~60Hz DC 24V, 150mA |
| Accuracy | ±0.15% full scale ± digit |
| Insulation Resistance | Greater than 100M Ω with DC 500V |
| Dielectric Strength | Input - Power/output AC 2000V Output1 - Output2 AC 1000V GND - Power |
| Display | 0-9999, 7segment 4digit |
| Response Time | 0.5 Sec of Less(0~90%) |
| Operating Temperature / Humdity | -20~60°C/90%(N.C), -20°C~80°C/90%(N.C) |
| Case material / Weight | ABS Resin(black)/about 400g~450g |
| Mounting | Wall & Rail mounting |
| Dimensions | 1 point(8pin):50(W) × 85(H) × 122(D)(mm) 2 point(11pin):50(W) × 85(H) × 133(D)(mm) |

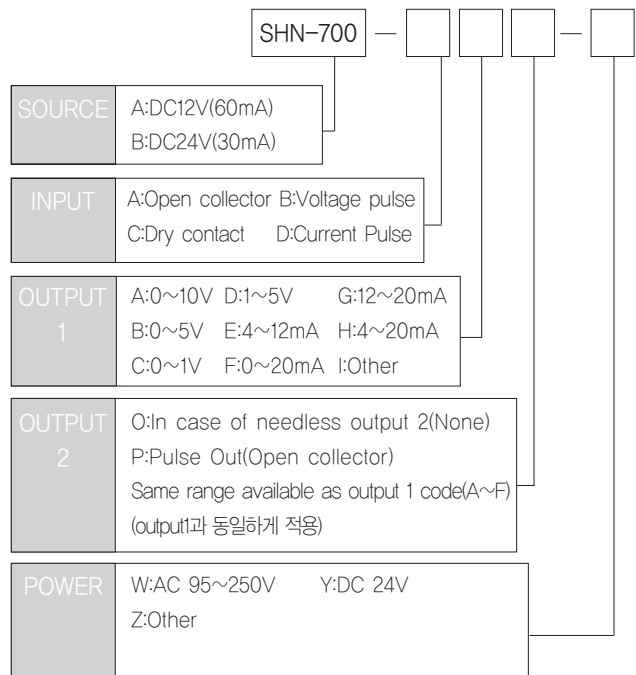
INPUT&OUTPUT SPECIFICATIONS

| | | |
|--------------------------|-----------------|-----------------------|
| Frequency Range | 0.05~10kHz | |
| Open Collector Spec | Pulse Width | 10msec. at 20Hz |
| | Duty Ratio | 20~80% |
| | Sensing | DC 12V at 3mA |
| | Input Amplitude | 2V for ON, 3V for off |
| Square or Sine Waveforms | | |
| Voltage Pulse Spec | Pulse Widty | 10msec. at 20Hz |
| | Duty Ratio | 20~80% |
| | Input Amplitude | 50mV(p-p)~50V(p-p) |
| | Input Impedance | 62kΩ |
| Current Pulse | Input Impedance | 250Ω |

OUTPUT LOAD RESISTANCE

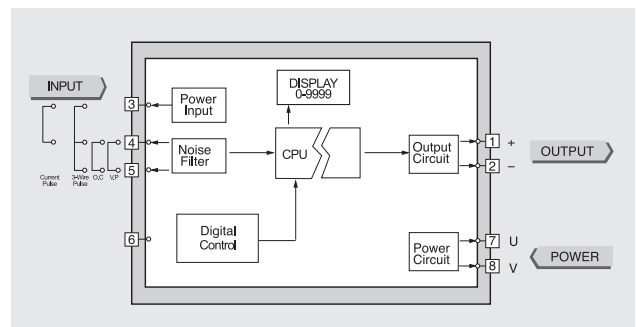
| Output | 1 Point | 2 Point | | Remark |
|----------|--------------------|----------|----------|--------|
| | Output | Output-1 | Output-2 | |
| 4 ~ 20mA | 700Ω | 600Ω | 350Ω | (Max) |
| 1~5v | 5kΩ | 5kΩ | 5kΩ | (Min) |
| Pulse | Voltage DC60V(Max) | | 0.4A | 1.4kΩ |

MODEL & SUFFIX CODE SELECTION

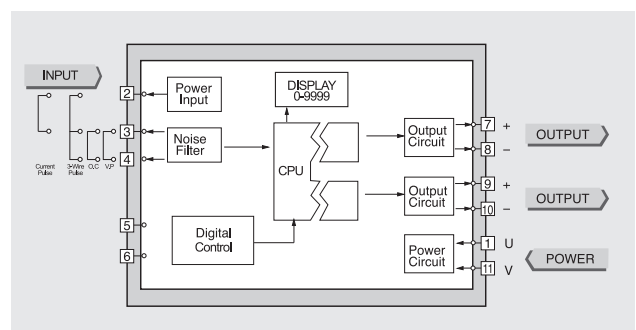


BLOCK DIAGRAM

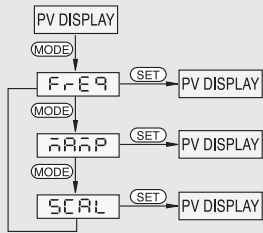
1 Point Output



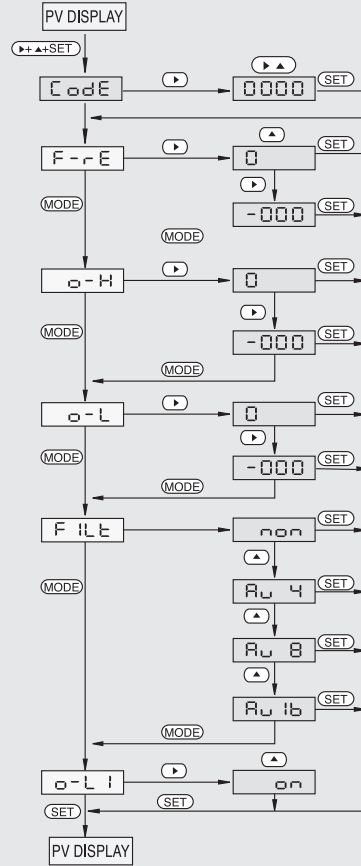
2 Point Output



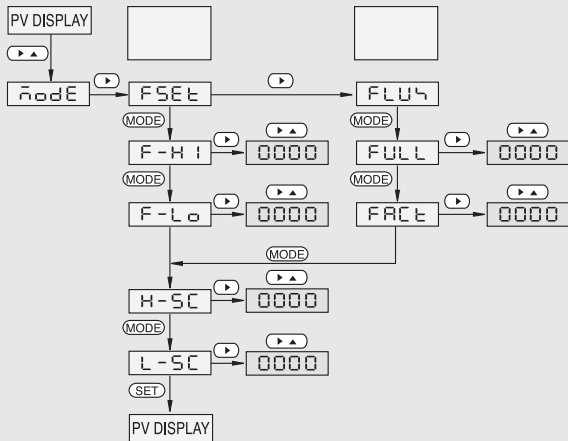
Display 표시방법



보정방법 및 특수기능 운전방법

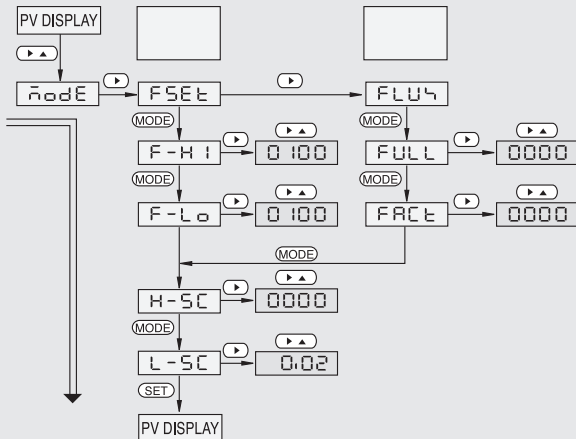


Setting 방법



Setting 방법(주파수 Type)

ex. -입력 주파수 범위:10~100Hz
 -출력 범위(scale):0~100
 -전류 보정:0.02mA



Setting 방법(유량 Type)

ex. -full range:3600
 -factor value:0.104
 -출력 범위(scale):3600
 -전류 보정:-0.02mA

